



## **Solid Waste Guidelines for Plan Review**

To ensure solid waste vehicle maneuvering on sites and to better locate containers on the sites the information herein is available for developer use.

### **Commercial Solid Waste Vehicle Information**

Truck length: 32 feet (384 inches)  
Truck width: 8 feet (96 inches)  
Truck turning radius: 31 feet curb to curb and 34 feet wall to wall  
No. of axles: 3  
Wheel base: 17.84 feet (214 inches)  
Truck weight: 60,000 lbs  
Truck overhead clearance for drive through lanes: 14 feet  
Truck overhead lifting clearance: 25 feet minimum

### **Commercial Front Loader Containers**

Commercial containers may hold 2 cubic yards, 4 cubic yards, 6 cubic yards, or 8 cubic yards of solid waste. See attachment for container dimensions. The 2 cubic yard and 4 cubic yard containers can be placed on rollers. City Municipal Code 6.04.070 requires commercial solid waste to be collected a minimum of once per week. A minimum of one collection per week and a maximum of six per week can be scheduled with Olathe Solid Waste. The customer determines the size of the container and the number of collections required for their particular service. The rate is determined based on the customer's selections. **For a free quote, contact Olathe Solid Waste Management at (913) 971-9098.**

The solid waste vehicles pick up the containers by pulling forward into the corral and hooking the container. The container is lifted above the front of the vehicle and the contents are placed into the vehicle's container. A minimum of 25 feet of overhead clearance is required when the container is lifted from the corral.

Commercial containers should be located where the container can be accessed from the front of the corral with minimal backing up. Backing a solid waste vehicle into a major drive access or road causes safety concerns. The containers should be located in a flow through traffic area with adequate circulation. Parking locations should not interfere with vehicle movement and should not be located where a solid waste vehicle must back into any parking spaces to exit the site. If the smaller containers are to be rolled from the corral for collection, they should be rolled in one direction with no rotation. Rolled containers are allowed only with OMS approval. A truck template may be required with the Final Site Development plans for proof of adequate vehicle turning distances and radii.

3/02/2016



### **Compactor or Permanent Roll-off Containers**

If a compactor or permanent roll-off container (20 to 40 cubic yard) is needed, please contact Olathe Solid Waste Management at (913) 971-9098 for container and contract information.

Compactor end, electrical and hose connections should be placed toward the truck connection point. Time between pickup and drop-off is reduced for customers by picking up from the compactor side of the container. Provide a straight drive access for backing and pickup of the container and ensure onsite maneuvering can occur. Site layout for the compactor or permanent roll-off containers will be discussed on an individual basis. A truck template may be required with the Final Site Development plans for proof of adequate vehicle turning distances and radii.

### **Trash Receptacle Screening**

The Unified Development Ordinance (Sec. 18.62.110 B) requires trash receptacle screening. City of Olathe Design Guide 10 provides guidelines for screening and can be obtained online at [http://www.olatheks.org/files/Development/DevelopmentReview/2002\\_GeneralGuidelines\\_DG10.pdf](http://www.olatheks.org/files/Development/DevelopmentReview/2002_GeneralGuidelines_DG10.pdf). Consider placing a concrete pad and approach apron at the dumpster location to avoid parking lot rutting.

### **Residential Solid Waste Vehicle Information (Automated Side Loaders)**

Truck length: 30 feet (360 inches)  
Truck width: 8 feet (96 inches)  
Truck turning radius: 33 feet curb to curb and 35 feet wall to wall  
No. of axles: 2  
Wheel base: 17.67 feet (212 inches)  
Truck weight: 50,000 lbs

### **Residential Containers:**

All customers receive a 95 gallon cart delivered to their home. If a customer finds that cart is too big for their needs, the City will exchange it for a 65 or 35 gallon cart at no charge. For collection, SmartCart is placed at the curb with the arrows stamped on the lid pointing to the street. Carts should be placed at the curb by 8 a.m. on their trash day and no earlier than 5 p.m. on the day before. Carts are to be placed within 8 feet of the *public* street curb for pick up.

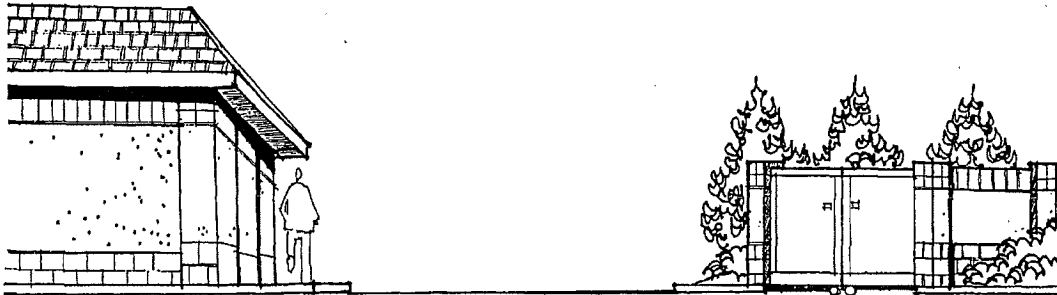
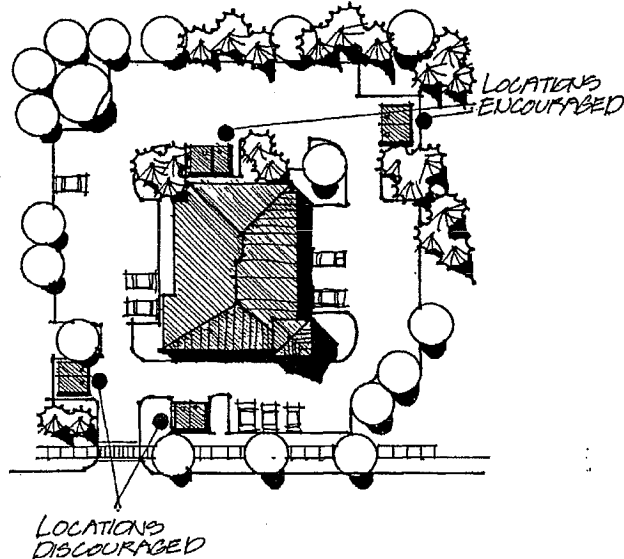
Sites must include adequate circulation to pick up the carts from both sides of residential streets. A truck template may be required for proof of adequate vehicle turning distances and radii. For more information visit the city website at <http://www.olatheks.org/OMS/Trash/Residential/TrashCollection> or contact Olathe Customer Service at 913-971-9311.

## GUIDELINES FOR TRASH RECEPTACLE SCREENING

The purpose of these guidelines is to ensure that service activities are oriented on the property in a manner that is

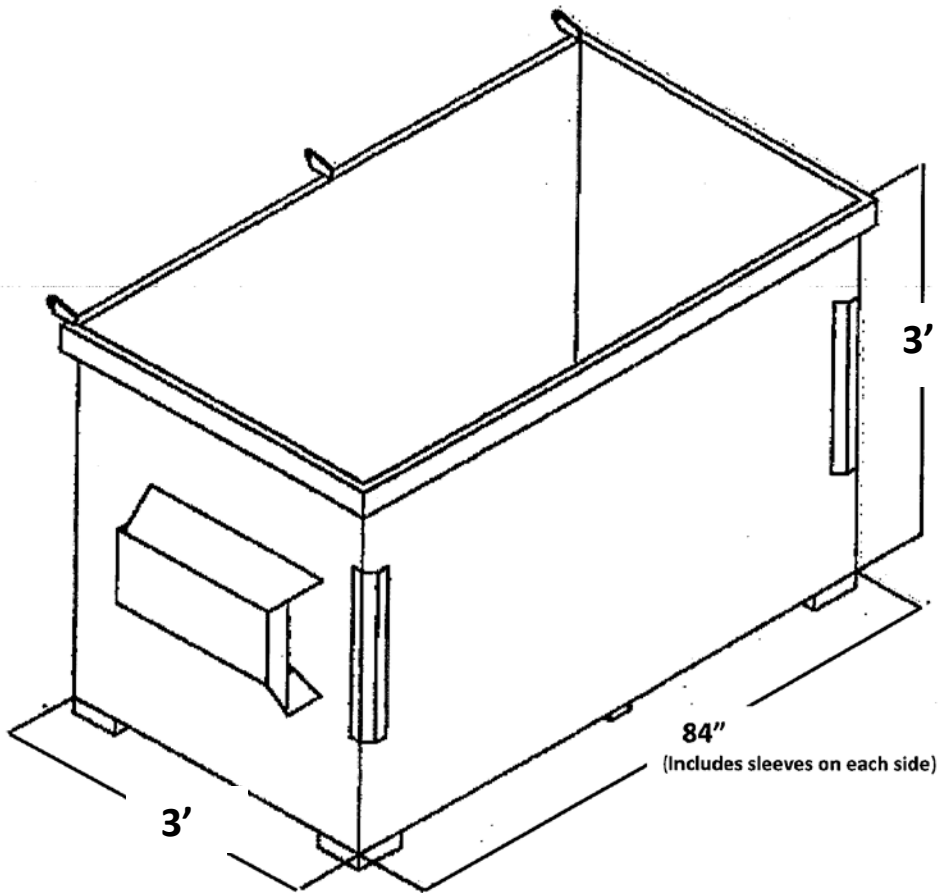
consistent with the character of the area, privacy, and aesthetic considerations.

- \*1. Refuse enclosures shall be screened from public view on at least 3 sides with a 6 to 8 foot opaque screen of either masonry, landscaping treatment or other compatible building or landscape materials.
2. Trash receptacle areas should not be placed in an area along a public street. Such areas should be located to allow for convenient access by refuse vehicles.
3. When located in a highly visible area, trash receptacle screening walls should be softened with landscape materials on earth berms.
4. Screening doors on the enclosure should be finished with a high quality material and durable finish.

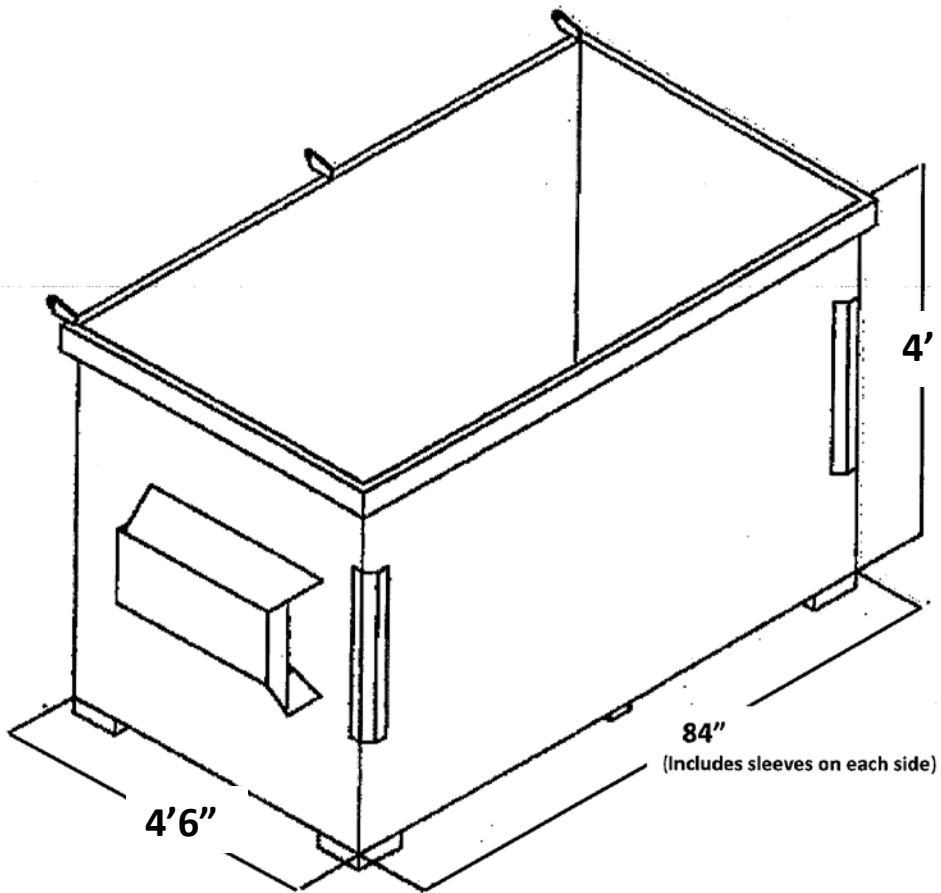


*\*Required by the Unified Development Ordinance (UDO).*

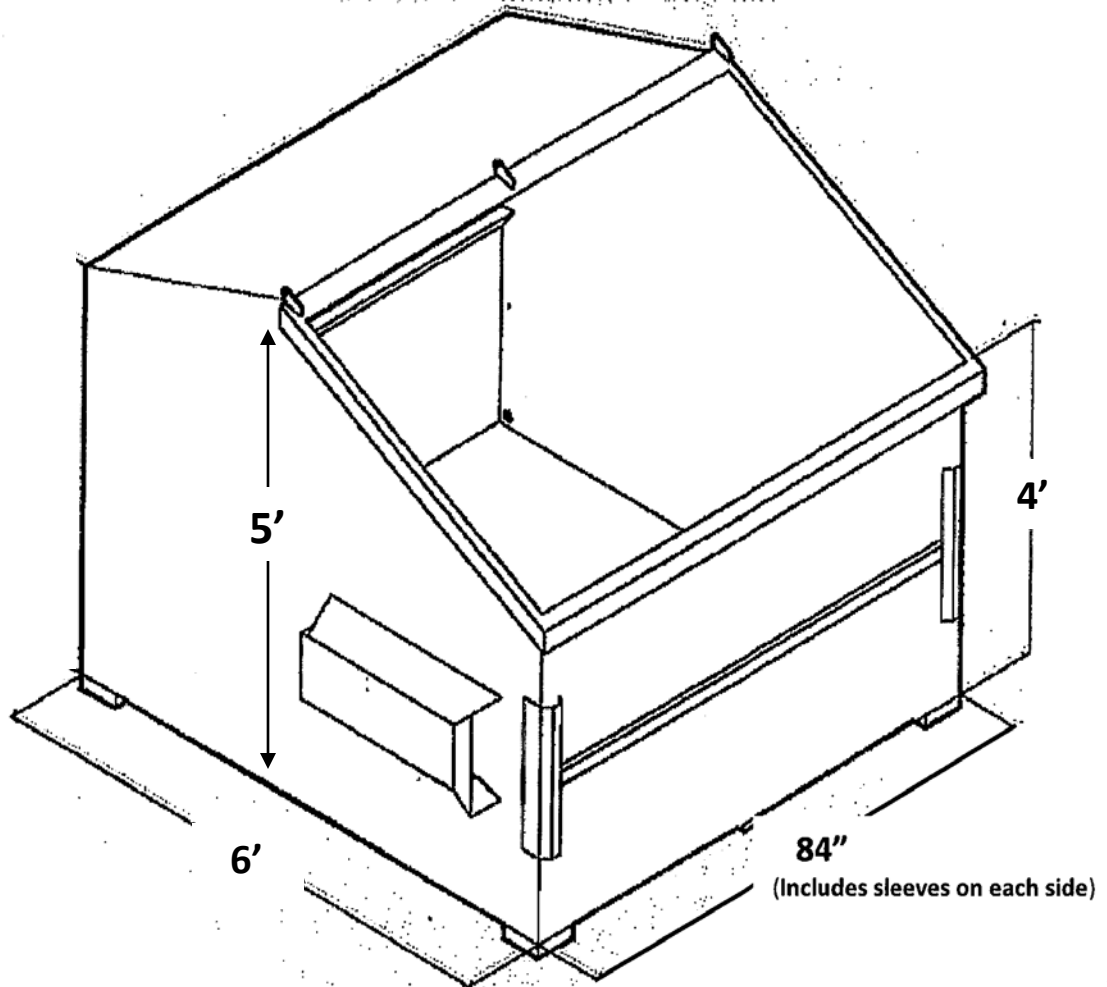
# 2 yard container



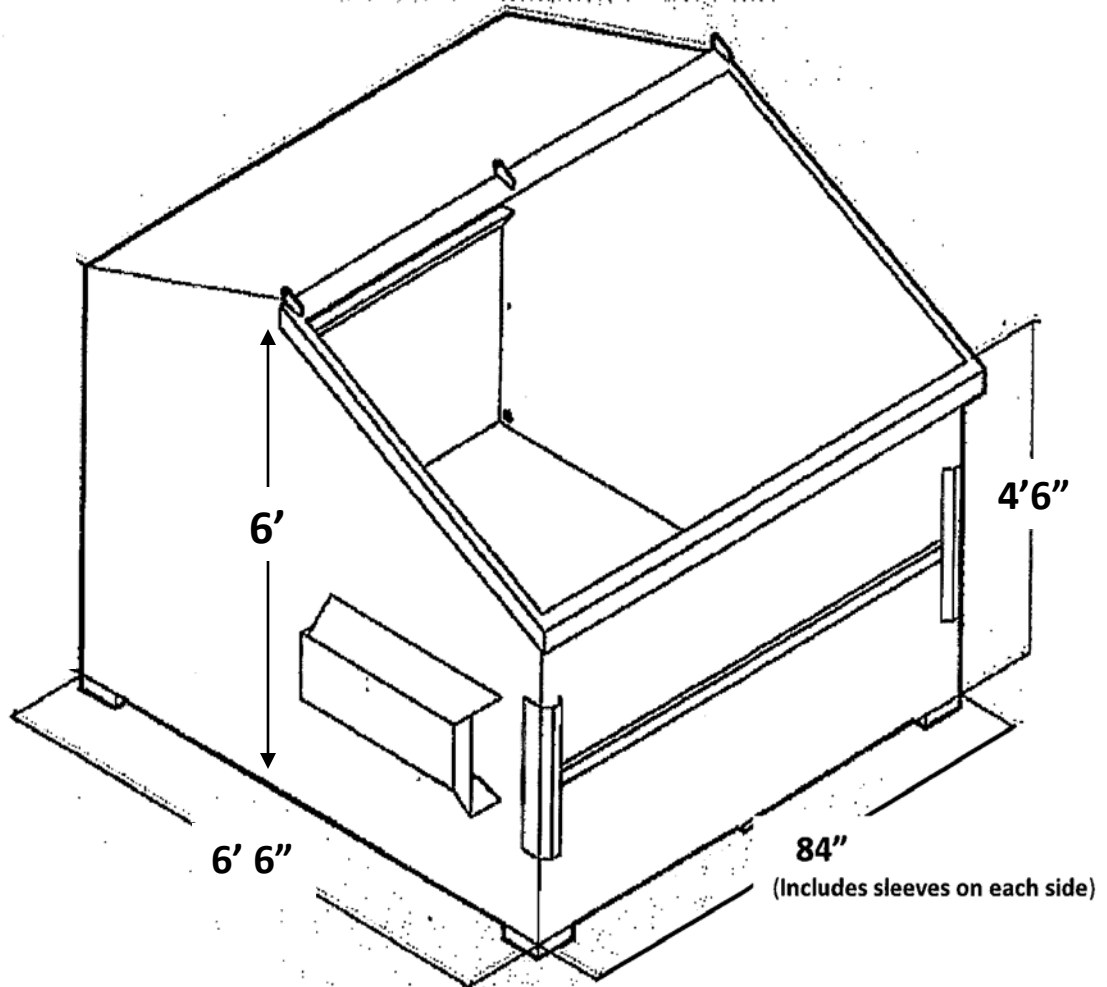
# 4 yard container



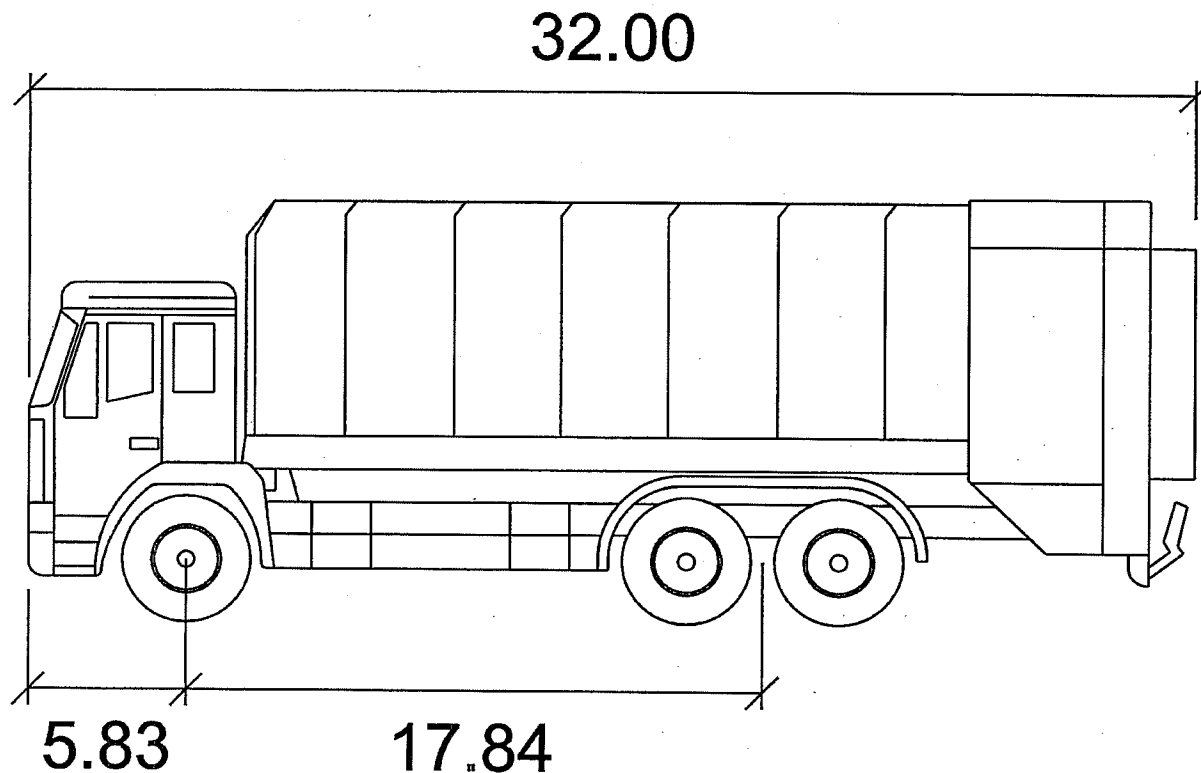
# 6 YARD CONTAINER



# 8 YARD CONTAINER



Commercial Solid Waste Vehicle: Typical Truck Template Inputs



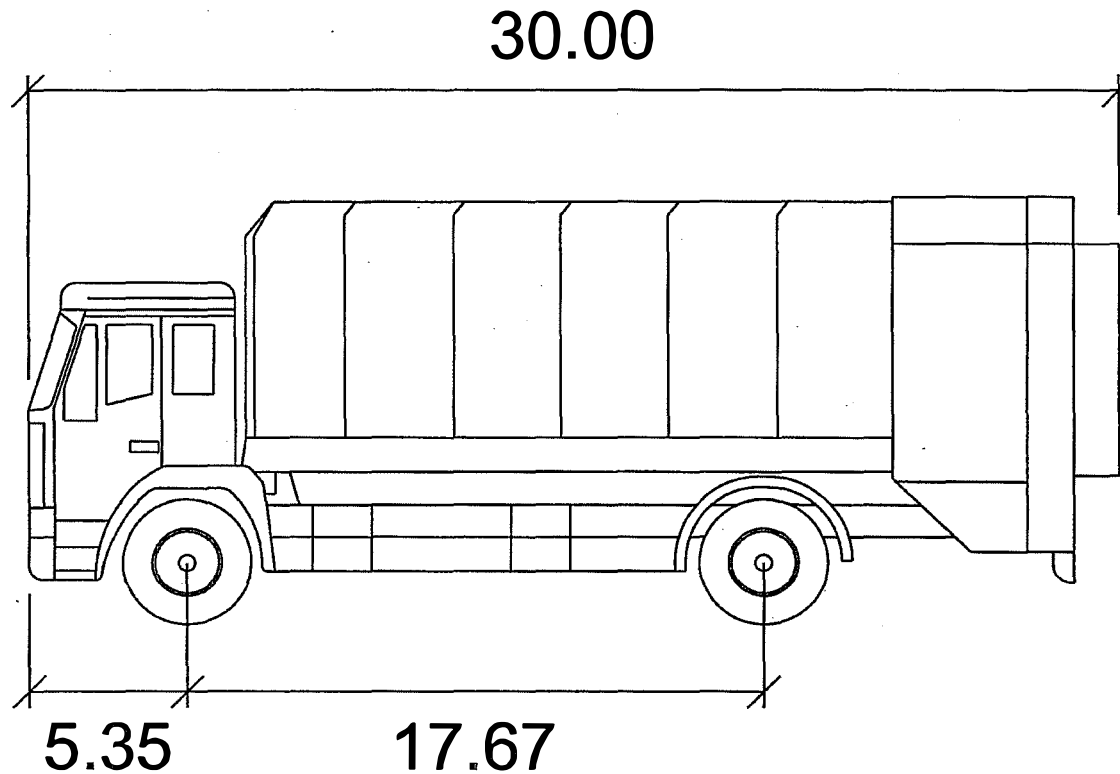
**SW-Frt-L**

feet

- Width : 8.00
- Track : 8.00
- Turning Radius : 31.00 (curb to curb)
- Lock to Lock Time : 6.00
- Steering Angle : 39.00



Residential Solid Waste Vehicle: Typical Truck Template Inputs

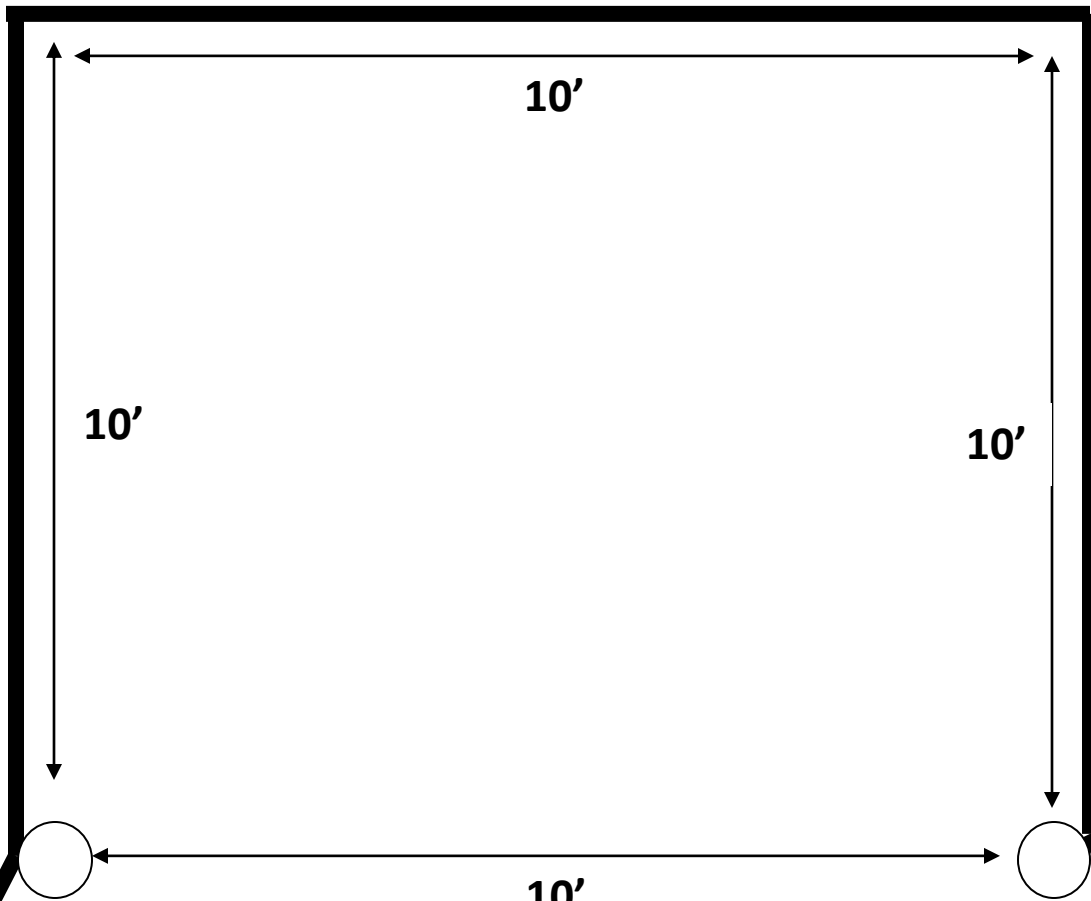


**SW-Auto-L**

feet

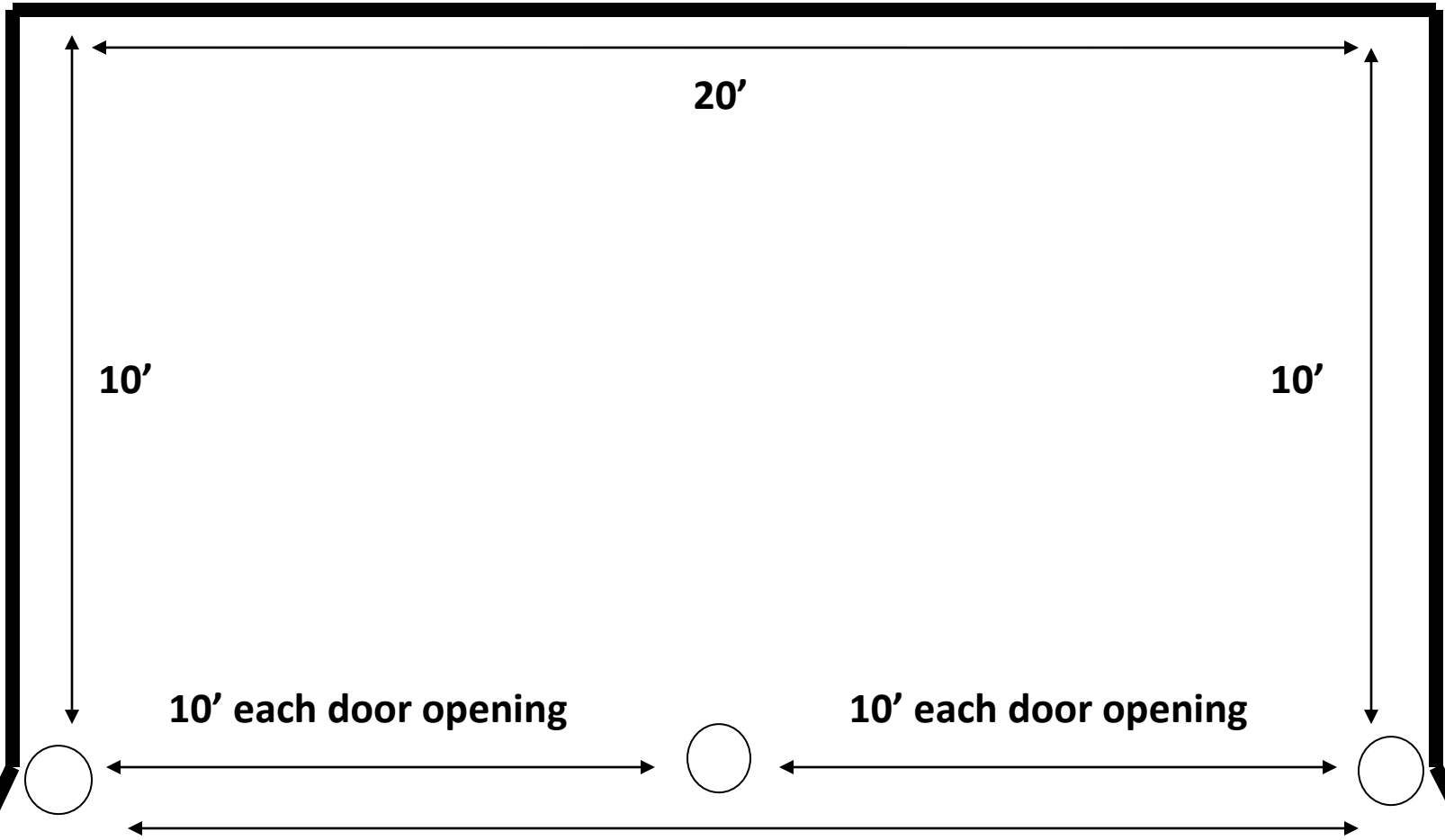
- Width : 8.00
- Track : 8.00
- Turning Radius : 33.00 (curb to curb)
- Lock to Lock Time : 6.00
- Steering Angle : 36.50

Corral dimensions for ONE dumpster



Opening between doors, hinges, poles

Corral dimensions for TWO dumpsters



20' Total

Opening between doors, hinges, poles